

CODE NUMBER

10051015

DESCRIPTION

SU-1009 Urinal and REGAL 186 Flushometer.

COMPONENTS

- Flushometer: Code 3982628
- Urinal: Code 1101009

DETAILS

- Flush Volume: 0.5 gpf (1.9 Lpf)
- Nominal Dimensions: 14 ¼" x 17 ¼" x 25 ½" (362 x 438 x 648mm)

FLUSHOMETER FEATURES

- Non-Hold-Open Handle and No External Volume Adjustment to Ensure Water Conservation
- ¾" I.P.S. Screwdriver Bak-Chek® Angle Stop with Vandal Resistant Stop Cap
- Spud Coupling and Spud Flange for ¾" Top Spud
- ADA Compliant Metal Oscillating Non-Hold-Open Handle
- Sweat Solder Adapter with Cover Tube
- Cast Wall Flange with Set Screw
- Vacuum Breaker Flush Connection

FIXTURE FEATURES

- White Vitreous China
- Washdown flushing action
- Integral flushing rim
- ¾" I.P.S. top spud inlet
- 2" NPT outlet flange
- Vandal resistant strainer assembly included
- All mounting hardware included
- 100% factory flush tested



COMPLIANCES & CERTIFICATIONS



(ADA Compliant, BAA Compliant, BREEAM Water Credit, BREEAM Materials Credit, CalGreen Compliant, CEC Compliant, CSA Certified, cUPC Certified, cUPC Certified (Requires use of listed vacuum breaker that complies with ASSE 1001), cUPC Green Certified, cUPC Green Certified (Requires use of listed vacuum breaker that complies with ASSE 1001), EPD, Green Globes Water Credit, Green Globes Materials & Resources Credit, HPD, LEED V4 Water Efficiency Credit, LEED Materials & Resources EPD Credit, LEED Materials & Resources HPD Credit, Satisfies LEED Credits, UPC Certified, WaterSense Listed, WELL Building Standard)

DOWNLOADS

- [Regal XL Exposed Installation Instructions](#)
- [Standard Spud Urinal Installation Instructions](#)
- [Regal Flushometers Repair and Maintenance Guide](#)
- [SS/ST/SU/WETS/WEUS Fixtures Repair and Maintenance Guide](#)
- [Additional Downloads](#)

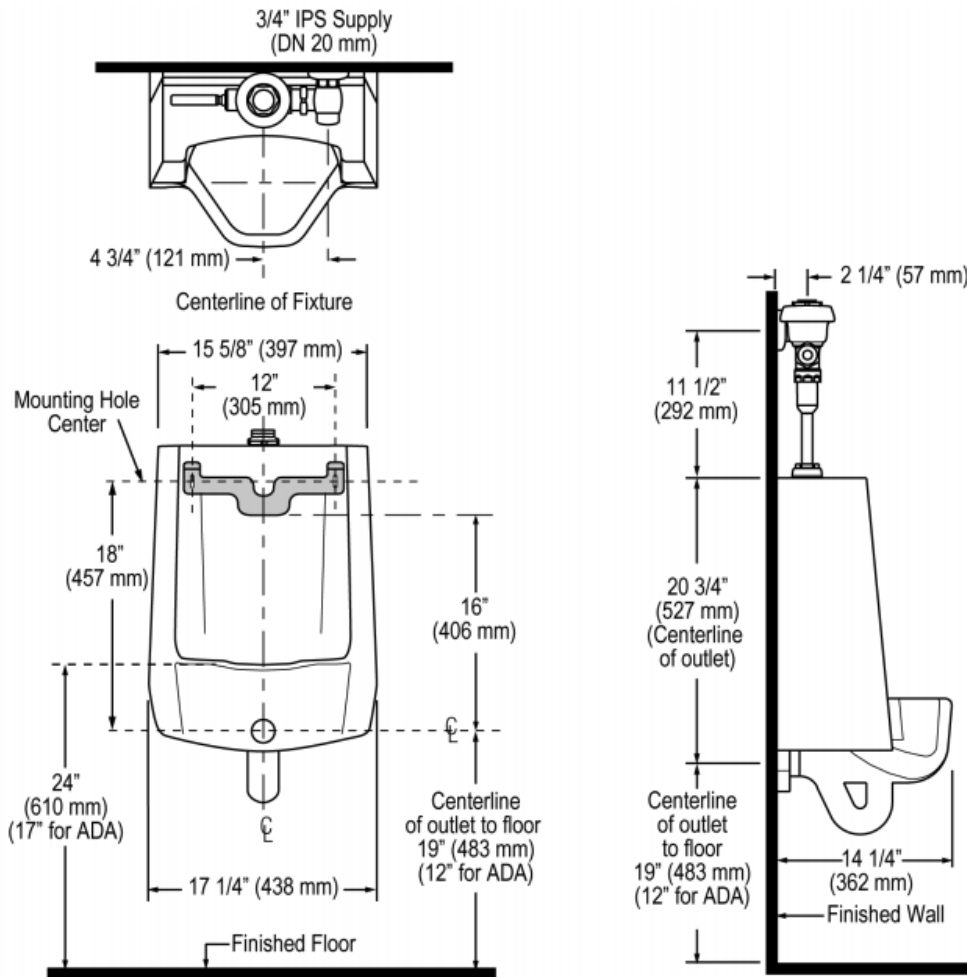
NOTES

All information contained within this document subject to change without notice.

Sloan 10500 Seymour Ave, Franklin Park, IL 60131

Phone: 800.982.5839 • Fax: 800.447.8329 • sloan.com

ROUGH-IN



Sloan 10500 Seymour Ave, Franklin Park, IL 60131
Phone: 800.982.5839 • Fax: 800.447.8329 • sloan.com